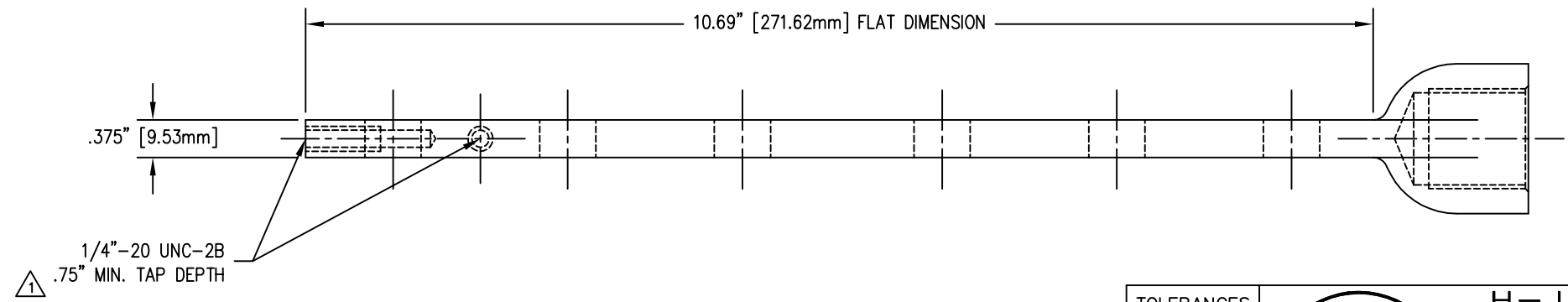
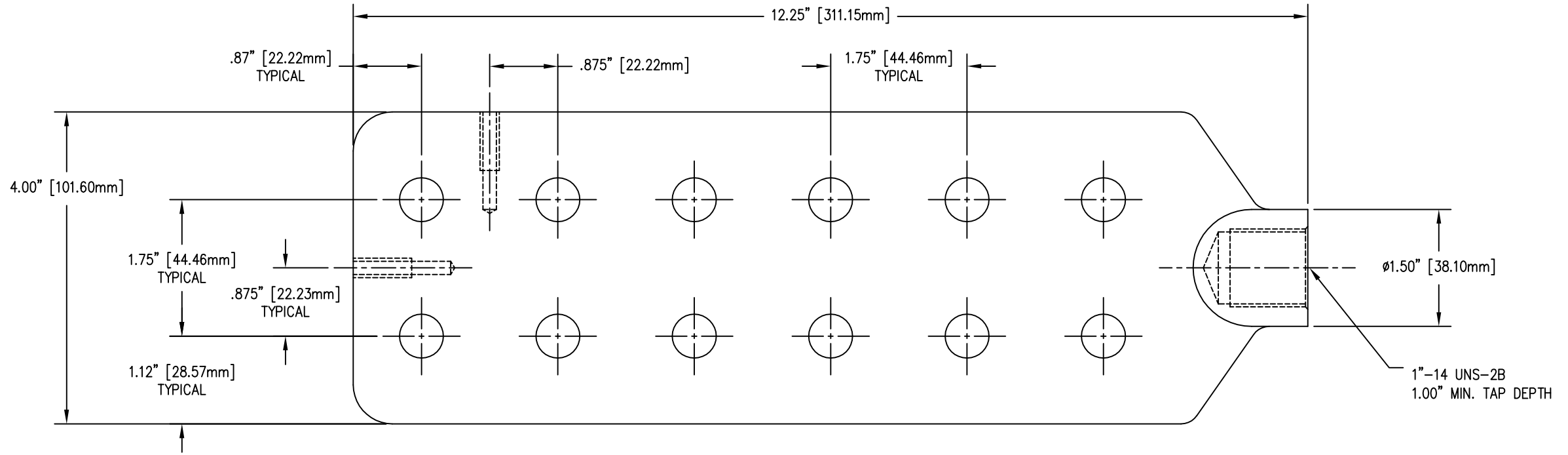


REVISIONS					
NO.	DATE	ECN #	REMARKS	BY	APPD.
1	3-2-05	HJ05-018	CHANGED TAP DEPTH.	JRM	SP



TOLERANCES (EXCEPT AS NOTED) DECIMAL $\pm .032" / .8mm$ FRACTIONAL \pm ANGULAR $\pm 2'$		H-J ENTERPRISES, INC. 3010 HIGH RIDGE BLVD. HIGH RIDGE, MO. 63049 USA PHONE 1-636-677-3421 FAX 1-636-376-1915	
		12 HOLE SPADE TERMINAL	
		MATERIAL CDA 84400 TIN PLATED	
		CHK'D DATE 4-13-00	APP'D SCALE N.T.S.
DRAWN BY CJT			